

ASSEMBLY MANUAL

How to Build the

12' AVYNA

In 7 Easy Steps



Installation instructions for a
round Anyna
Inground Trampoline

Anyna

Tubes**Top**

A **K Tube (4)**
TEPL-12-114



B **C Tube (4)**
(connecting tubes)
TEPL-12-113

Bottom

C **H Tube (4)**
TEPL-12-FL-115



D **C Tube (4)**
TEPL-12-FL-114

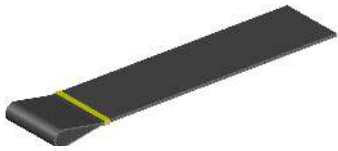
Nuts & Bolts

E **Screw (8)**
M8-16



F **Parker Screw (32)**
M4-16

Other Pieces



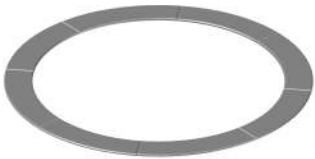
H Retaining Wall (4)
2112-121



I Jump Mat (1)
TEPL-12-222



K Springs (80)
TEPL-200-211/A



N Safety Pad
AVGR-12-333-FL-grey



O Safety Pad Fastenings (24)
(inside) TEPL-ELAS-B



P Safety Pad Fastenings (24)
(outside) AVGR-352-fl-333-grey



P Short Measuring Rod (1)



R Long Avyna Measuring Rod (1)



S Avyna Spring Tool

General Helpful Tips

- 1 Gather your tools** - it's always good to take inventory of what you have access to before you begin your project
- 2 Know your team** - how many people you have to help you.
- 3 Plan accordingly** - this is the kind of project where the timing of it can change pretty dramatically depending on the resources at your disposal (whether in tools or manpower). Be sure to block off an appropriate amount of time to finish and be **GENEROUS** with it.
- 4 Shade is your friend** - the metal poles and springs can overheat quickly if left in the sun for too long, which can make installation even more difficult.





30 - 45 Minutes



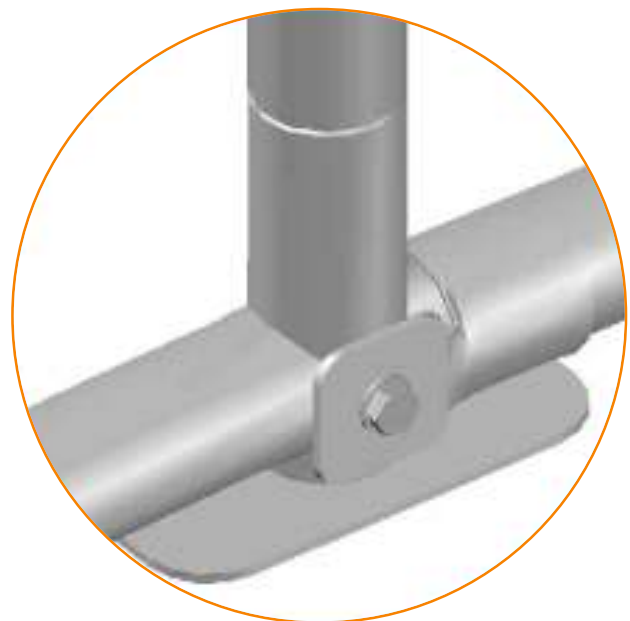
- **Wrench to hold the bolts**
You can use the **Wrench** that came with your box, or a Socket Wrench of your own that fits.
- **Allen Wrench** (Provided)
- **Gloves**

Step ONE

Assemble Your Frame

Trampoline Tip #1: It's always helpful to lay out all of your pieces in the tentative shape on a flat surface next to the location you are going to install the trampoline!

- 1 Top:** Begin forming the upper part of the frame by connecting **A** and **B** together.
- 2** Once the top part of the frame is assembled, line up **C** and insert their neck joints into the respective leg joints on **A**.



Trampoline Tip #2: It is easiest to start at one and do this clockwise while adjusting as needed.

- 3** **Bottom:** Using **E**, connect **D** to C to form the bottom frame.





30 Minutes



• Electric drill or crosshead screwdriver

Step TWO

Attach the Retaining Wall

SET UP: Start by opening and laying out the 4 retaining wall bits. They should all be equal sizes.

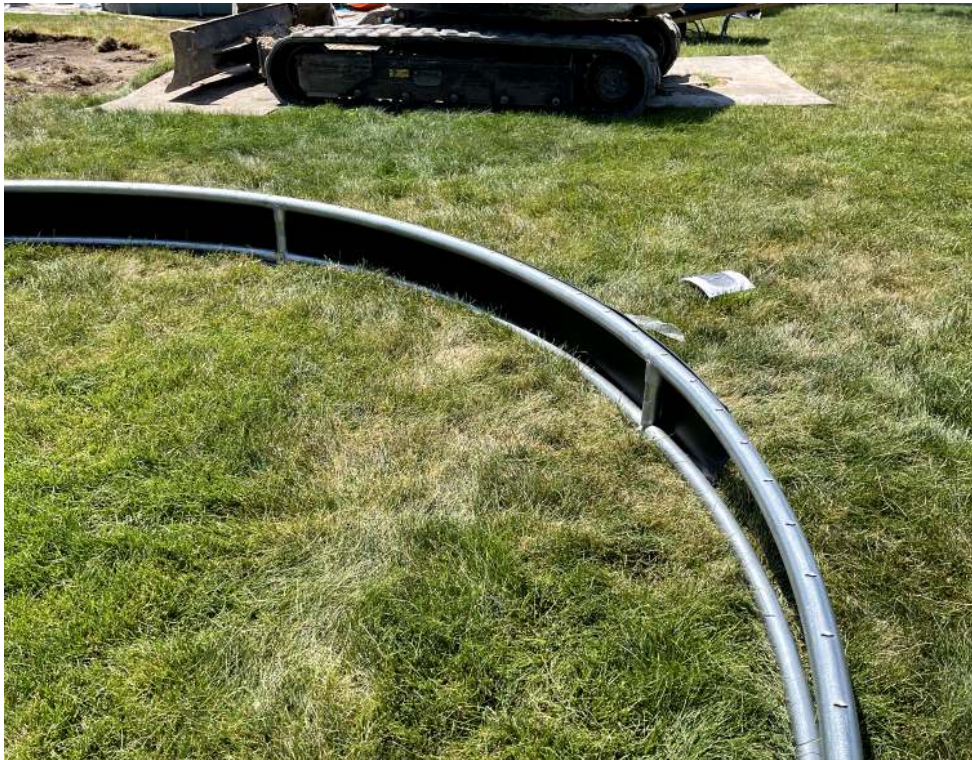
Trampoline Tip #3: Just like the frame, we always suggest laying out the pieces in the tentative shape and location they will go.

- 1 First Panel:** Starting in a location of your choice, you will attach one of the **Retaining Wall (H)** using **F**. Line up the top center slit of the **Retaining Wall (H)** with a hole along the upper frame. Once it is lined up and as flushed as possible, attach using the screws from **F**.



- 2 Remaining Panels:** Using **F**, work your way around the remainder of the frame while attaching the **Retaining Wall (H)**. Make sure to make the wall as flush with the frame as possible. This might require occasionally backtracking and loosening portions of the wall to get rid of sections that are protruding or not flush.

Trampoline Tip #4: The screws in **F** are self tapping screws by design. You may find yourself in a scenario where you have to create your own hole in the frame instead of using one that is pre made. This will especially be true for the lower frame.



LED Lights: If you purchased the LED lights this would be the best time to attach them to the inside of the trampoline retaining wall.

**2 - 8 hours**

The time it takes to dig the 14' hole can vary depending on the number of people and accessibility to tools. A landscaper with access to an excavator might be able to have the hole dug in 2-3 hours. A team of people with shovels will take more time. Plan accordingly with the resources available to you.



Tools may vary depending on your accessibility. At the bare minimum you will need:

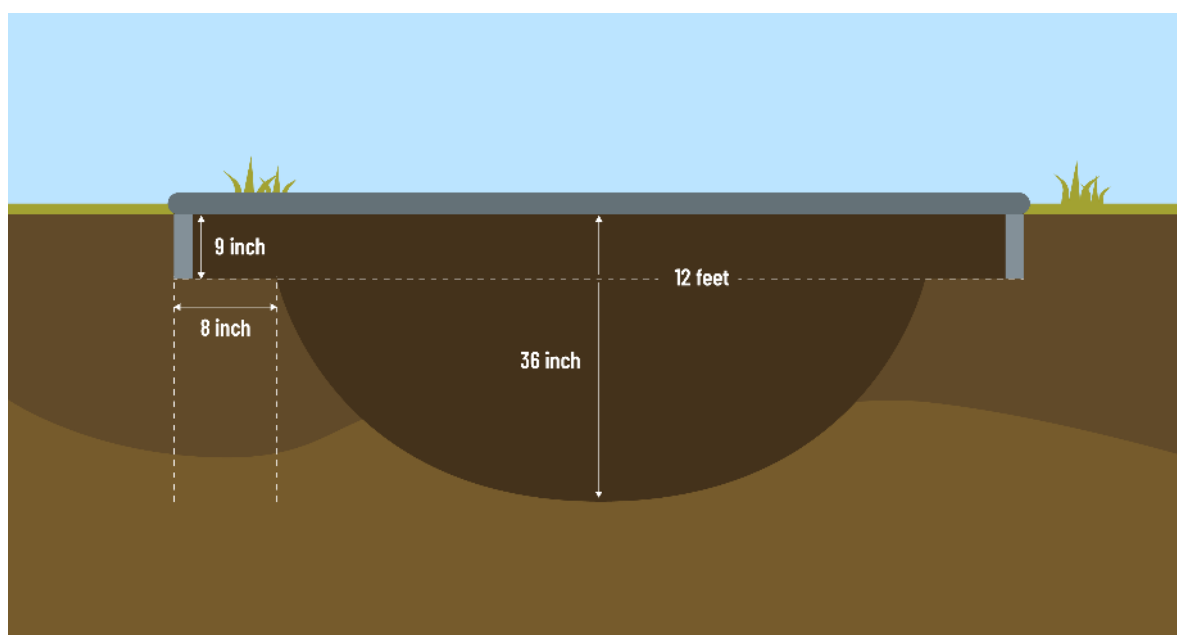
- **Shovels**
- **Gloves**
- **A level**
- **A tape measure**
- **Pick Axe**

Other tools like a spirit level or excavator / mini digger will help speed the process up.

**Step
THREE**

Dig the Hole

SET UP: Digging the hole can be the trickiest and most time consuming part of this experience. But don't worry, we're here to help! By observing the graphic and steps down below, and utilizing the two measuring rods that came in the box, you'll have the perfect hole for your trampoline! Because the Avyna 12's utilizes a modified retaining wall system that sits on a shelf, you'll essentially be digging two holes. See the graphic down below.



Trampoline Tip #5: Though a can of “grass spray” is not needed for marking your trampoline digging area, we find that it can be an incredibly helpful tool!

- 1 Outline:** Using your assembled frame as a guide, you'll want to mark out the area that you'll be digging. With the Avyna frame, you can be pretty exact, but we recommend usually having about 2-4 inches on the outside of the frame that will be backfilled later on. It is important that these inches are not included in the 8 inch shelf the frame will be resting on.
- 2 Dig Top Hole:** After marking out your trampoline, begin by digging the upper hole for your retaining wall and frame. It should be 9 inches deep. Remember to use the **Short Measuring Rod (Q)** to help with that distance! You'll want to save about 2-3 wheelbarrows full of dirt to help backfill the frame later on.



Trampoline Tip #6: Though it is not necessary, some people like to save portions of the removed turf and grass to add back into the area on the outside of the frame post installation.

- 3 Dig Inner Hole:** Measuring about 8 inches away from the edge of the wall, begin to dig your inner hole. It should be 27" deep minimum, to make a total of 36" minimum from the top of the hole to the bottom. You'll want to dig the slant of your hole at about a 60% angle. If you plan to add gravel at the bottom, dig your hole 2-3" deeper to accommodate for the gravel. The **Long Measuring Rod (U)** and **Short Measuring Rod (T)** stacked on each other will make 40", which is the length you would want if adding gravel.





15 minutes - 1 hour



- Gloves
- Shovel

Step FOUR

Place and Level

SET UP: Once the retaining wall is attached to your assembled frame, and your initial hole has been dug, it's time to make sure it's level and your trampoline is as flush with the ground as possible.

- 1 Placing the Frame:** Using at least two people, you'll want to lift the frame into the hole and onto the shelf you've created.
- 2 Checking Levels:** Check to make sure that your trampoline is level and as flush with the ground as possible.

IF IT IS LEVEL



Move onto **step 4.5**.

IF IT ISN'T LEVEL



Work to remove or add dirt to the necessary areas along the frame.

Some people like to take the frame out of the hole while making adjustments, while others like to keep it in. It is totally up to your comfortability level. When done, move onto **step 4.5**.

Step
FOUR
& A HALF

Gravel / Drain

INFO: A common question we receive is about drainage. In most instances, water is just absorbed into the ground like it would before the soil was disturbed. That being said, down below are some options for those who this is a concern for or those who live in rainier than usual climates.

Weed Barrier

- A simple weed barrier is a great way to combat weeds and other plants from growing underneath your trampoline.
- Who we recommend it for: Everyone! No matter the climate.

Gravel

- 2-3 inches of gravel is a great way to help water get distributed back into the soil. It also adds a nice clean look to it.
- Who we recommend it for: People in climates with moderate to heavy rainfall. OR. Anyone who is looking for a cleaner looking trampoline hole.

Soak Away / French Drain

- A soak away drain is a really effective tool for distributing large amounts of water when it rains.
- Who we recommend it for: Only people in areas with heavy rainfall or high water levels in their soil.
- For high water tables or poor drainage soil you may need to install a sump pump. Consult with your landscaper or installer.





15 - 30 Minutes



- Gloves
- Avyna Spring Tool

Step FIVE

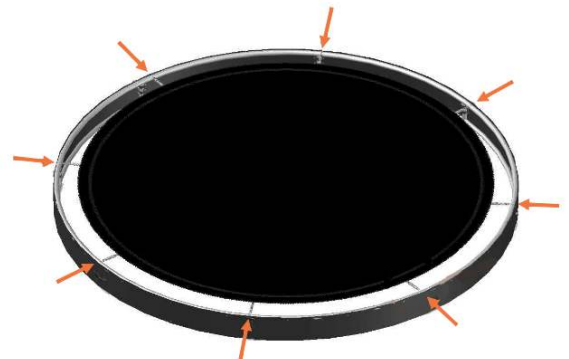
Add Mat and Springs

Set Up: Now that your trampoline is in the hole and level with the ground, it is time to begin adding the trampoline Mat and Springs.

- 1** You will want to first locate the 4 blue dots on the frame and align it with the 4 blue v-ring on the jump mat. Attach the **Springs (K)** to the blue v-ring on **Jump Mat (I)** and blue dot on the frame. (See Image Below)
- 2** Work your way around the **Jump Mat (I)** alternating opposing sections to balance the tension. Do not do one section then move to the next, this will make it difficult to connect the opposing sides. Utilize the **Avyna Spring Tool** if you come across a spring you're struggling to stretch out.



Trampoline Tip #7: Keep an eye on the tension and make sure it stays even around the trampoline. It's helpful to do this step with 2 people.



Trampoline Tip #8: It's always helpful to have someone jump on the trampoline AFTER all of the springs have been attached to help break the trampoline tension in.

 20 minutes



- Gloves
- Shovel

Step SIX

Back Fill

SET UP: Now that your frame is in the ground with the mat and springs, you should notice that there will be a considerable gap between the edge of the frame and dirt hole you made. It's time to get those wheelbarrows of dirt you saved earlier and get filling!

- 1 Backfill:** Making your way along the edge of the trampoline, fill in the gaps with soil, packing it down tightly as you go with your foot, do not use equipment to pack the dirt as this may cause damage to the frame and trampoline. By the end, there should be NO GAPS between your trampoline frame and the rest of your yard.
- 2 Sod:** If you saved grass from earlier, lay it down as the top layer on your tightly packed dirt.



Step
SEVEN**Safety Pad**

SET UP: Now that your trampoline has been backfilled, you just need to attach the Avyna Safety Pad and your trampoline will be fully operational!

- 1 Safety Straps:** Flipping the pad upside down, work your way along and attach **Safety Pad Fastenings (O)**, feed the elastic through the two clear plastic eyelets, leaving it loose to later secure to the jump pad. You will find these elastic fasteners bundled up on the inside of the pad.
- 2 Secure to Jump Pad:** Once all of the safety straps are through their respective eyelets, place the pad over the springs and mat. You'll notice on the jump mat there is loops on the outer edge. These are meant for threading your **Pad Fastenings (O)** through and securing them to the mat.
- 3 Attach Hooks to Springs:** On the outside of the safety pad, you will see there are elastics with a hook on the edge of it **Safety Fastenings (P)**. You will want to secure those to the loops on the inside to the top of spring to the left or right.

Trampoline Tip #9: To get the elastics through the plastic eyelets you may need to use a small wire or hook to feed them through.



Congratulations! Happy Jumping!

12' Avyna Inground Trampoline is available at



www.Trampolines.com

For installation assistance or other information email, text or call:

Trampolines.com **1-844-USA-JUMP** or email questions to

orders@trampolines.com

